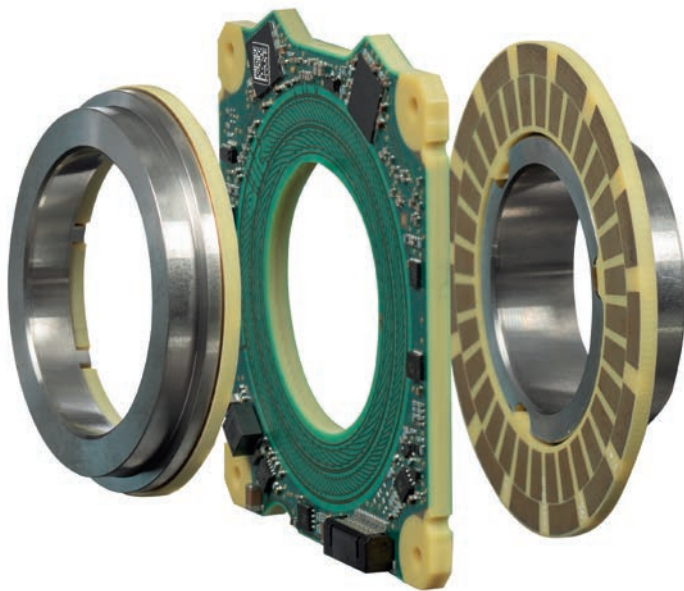




HEIDENHAIN



**Functional
Safety**

Product Information

KCI 120 Dplus

Absolute Inductive
Rotary Encoder with
Additional Functionality:

Position measurement
at the output side

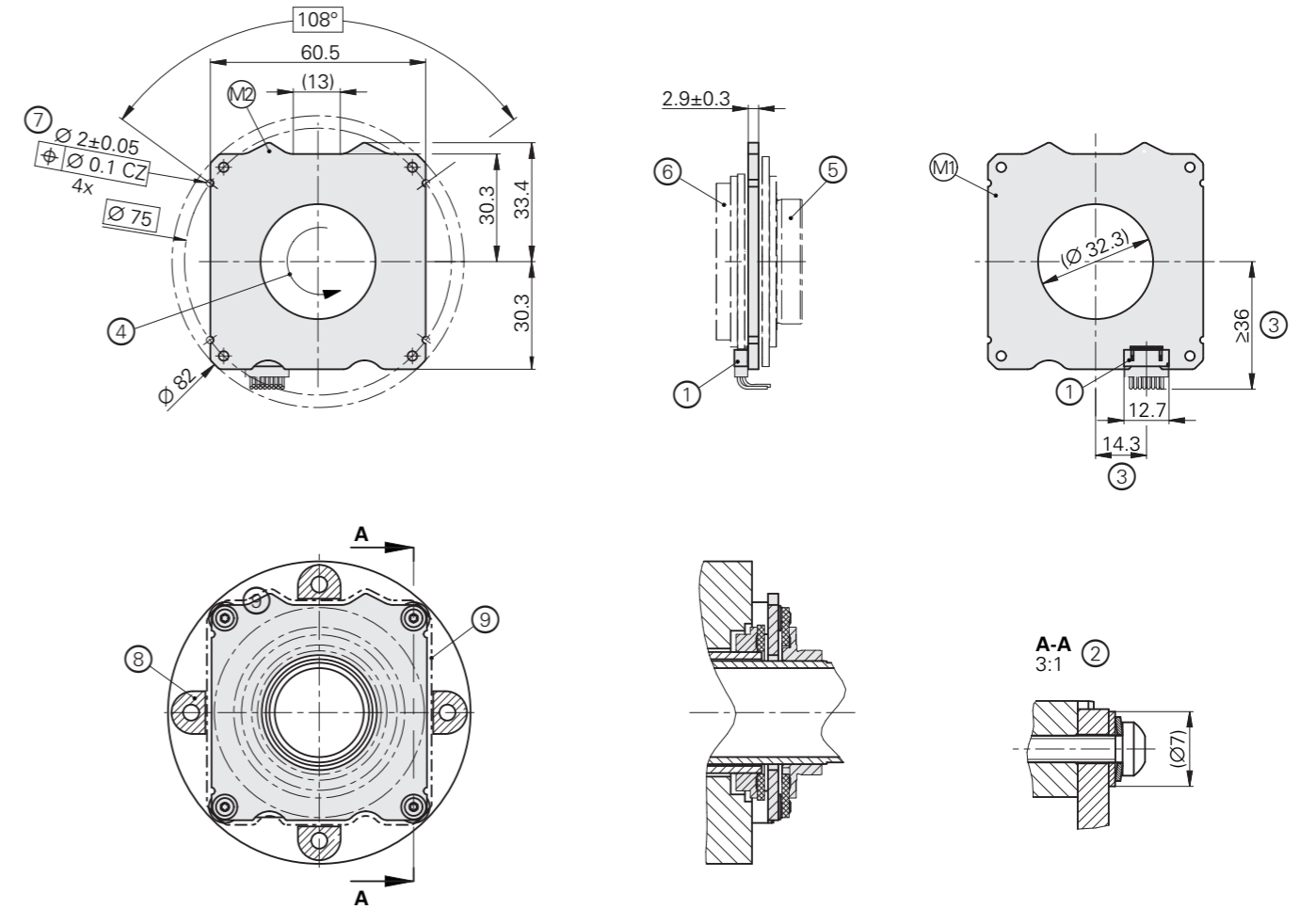
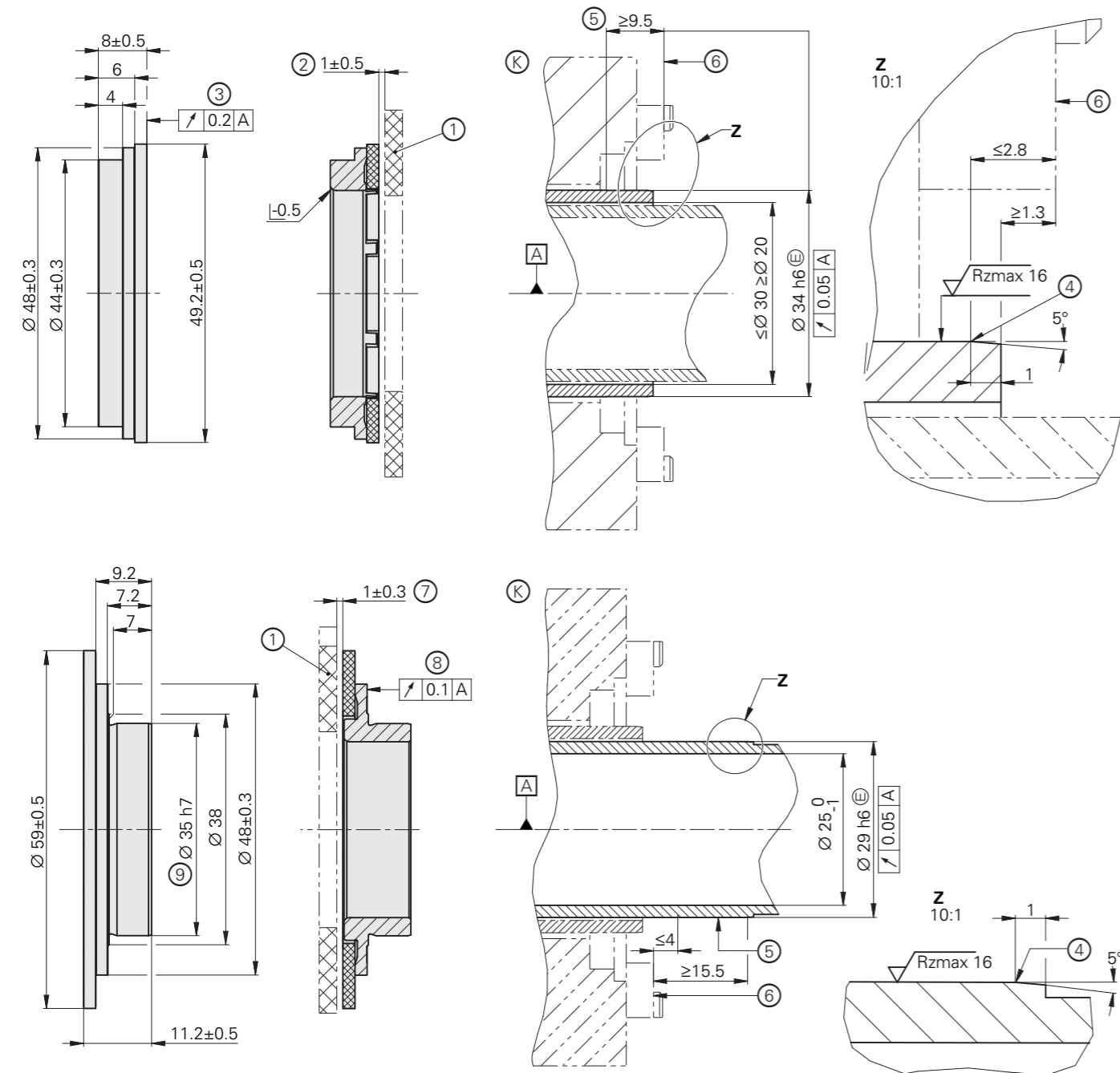
With additional measures:
suitable for safety-related
applications with up to SIL 3

01/2023

KCI 120 Dplus

Absolute inductive rotary encoder with additional functionality

- Robust inductive scanning principle
- Consisting of an AE scanning unit and two rotor units (disk/hub assembly)
- Additional position measurement at the output side



- ▣ = Bearing of mating shaft
- ⊕ = Required mating dimensions
- 1 = Scanning unit (AE), separate; for mounting, see the respective mating dimensions.
- 2 = Rotor B mating dimension; tolerance includes compensation for the mounting tolerances and thermal expansion; dynamic motion permitted over entire range
- 3 = On the fine track (Ø 42 mm to Ø 48 mm), after press-fitting
- 4 = Rounded transition to the fit surface
- 5 = Required fit length on the mating shaft
- 6 = Bearing surface of scanning unit (AE)
- 7 = Rotor A mating dimension; tolerance includes compensation for the mounting tolerances and thermal expansion; dynamic motion permitted over entire range
- 8 = Axial runout after press-fitting
- 9 = A suitable support bearing is permissible but optional; permissible forces and torques during operation:
 - Axial force: 40 N
 - Radial force: 40 N
 - Torque: 0.5 Nm

mm

 Tolerancing ISO 8015
 ISO 2768:1989-mH
 ≤ 6 mm: ±0.2 mm

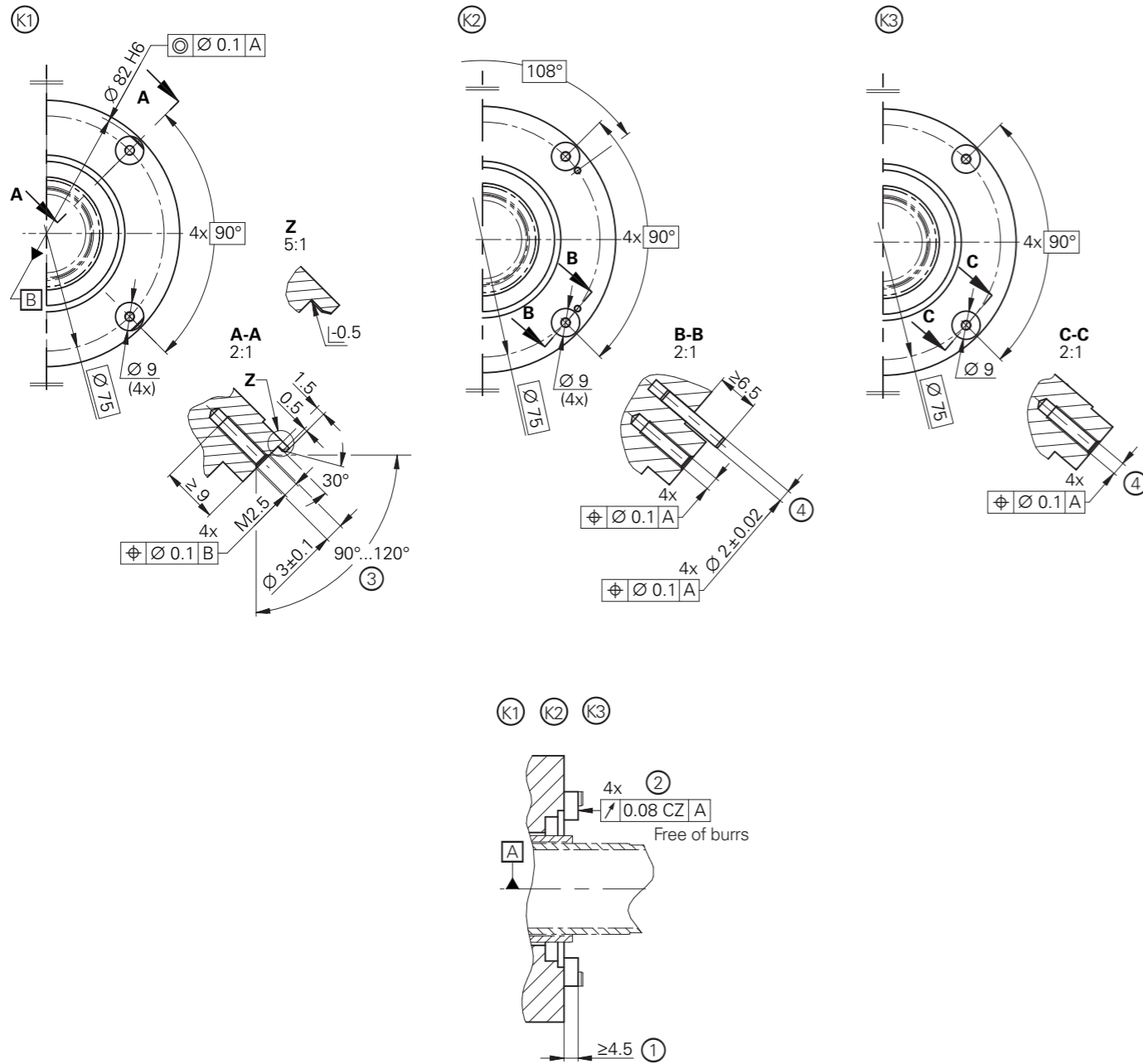
- M1 = Measuring point for operating temperature; ensure electrical isolation for the mounted temperature sensor
- M2 = Measuring point for vibration
- 1 = 15-pin PCB connector
- 2 = Cylinder head screw
 DIN EN ISO 4762 – M2.5 x12 – 8.8 – MKL* or
 DIN EN ISO 14583 – M2.5 x12 – 8.8 – MKL (ID 202264-61);
 tightening torque: 0.7 Nm ±0.05 Nm, with spring washer: DIN 6796 – 2.5 – FSt,
 and washer: ID 1334909-01
 Pay attention to the installation position of the spring washer!
- 3 = Ensure installation space for cable
- 4 = Direction of shaft rotation for ascending position values
- 5 = TKN for Rotor A, separate; for mounting, see the respective mating dimensions
- 6 = TKN for Rotor B, separate; for mounting, see the respective mating dimensions
- 7 = Holes as an option for aligning the scanning unit by means of a device; centered position relative to reference ▣ after mounting: $\oplus \text{Ø} 0.2 \text{ CZ}$
- 8 = Room for supporting flange for Rotor A; avoid collision with the scanning unit
- 9 = Ensure > 1 mm gap for air and creepage distances

* Instructions for use: screw with material bonding anti-rotation lock as per DIN 267-27; see *General mechanical information* in the *Rotary Encoders* brochure (screw not included in delivery!)

mm

 Tolerancing ISO 8015
 ISO 2768:1989-mH
 ≤ 6 mm: ±0.2 mm

General information



- ⊠ = Bearing of mating shaft
- ⊙ = Mating dimensions on the customer side; mounting with centering collar
- ⊚ = Mating dimension on the customer side; mounting with cylindrical pins (not available as an accessory)
- ⊕ = Customer-side mating dimensions; mounting with mounting device (not available as an accessory)
- 1 = Ensure space for electronics; see also the mating dimension model
- 2 = Flange surface: ensure full-surface, burr-free contact!
- 3 = Chamfer at start of thread is obligatory for material bonding anti-rotation lock
- 4 = For thread dimensions, see ⊕

Specifications	KCI 120 Dplus
Interface	EnDat 2.2
Ordering designation	EnDat22
Calculation time t_{cal} Clock frequency	$\leq 5 \mu s$ $\leq 16 \text{ MHz}$
Electrical connection	15-pin PCB connector (radial); cable length $\leq 10 \text{ m}^{1)}$
Supply voltage	DC 3.6 V to 14 V (for both axes together)
Power consumption (max.) ²⁾	At 3.6 V: $\leq 1.2 \text{ W}$ At 14 V: $\leq 1.4 \text{ W}$
Current consumption (typical)	At 5 V: 180 mA (without load)
Angular acceleration of rotors	$\leq 1 \cdot 10^5 \text{ rad/s}^2$
Vibration 55 Hz to 2000 Hz ³⁾ Shock 6 ms	AE scanning unit: $\leq 400 \text{ m/s}^2$; rotors: $\leq 600 \text{ m/s}^2$ (EN 60068-2-6) $\leq 2000 \text{ m/s}^2$ (EN 60068-2-27)
Operating temperature	$-40 \text{ }^\circ\text{C}$ to $115 \text{ }^\circ\text{C}$
Trigger threshold for exceeded temperature error message	$125 \text{ }^\circ\text{C}$ (measuring accuracy of the internal temperature sensor: $\pm 1 \text{ K}$ at $125 \text{ }^\circ\text{C}$)
Relative humidity	$\leq 93\%$ ($40 \text{ }^\circ\text{C}/21 \text{ d}$ as per EN 60068-2-78), condensation excluded
Protection rating EN 60529	IP00 (read about insulation under <i>Electrical safety</i> in the <i>Interfaces of HEIDENHAIN Encoders</i> brochure)
Mass	$\approx 0.1 \text{ kg}$ (scanning unit and rotors)
ID number	<div style="display: flex; justify-content: space-between;"> <div style="width: 45%;"> <p><i>Individual packaging:</i> ID 1362005-02 (AE scanning unit) ID 1362006-01 (disk/hub assembly: Encoder A) ID 1362007-01 (disk/hub assembly: Encoder B)</p> </div> <div style="width: 45%;"> <p><i>Collective package:</i> ID 1362005-52 (AE scanning unit) ID 1362006-51 (disk/hub assembly: Encoder A) ID 1362007-51 (disk/hub assembly: Encoder B)</p> </div> </div>

¹⁾ See pin layout for encoder
²⁾ See *General electrical information* in the *Interfaces of HEIDENHAIN Encoders* brochure, or visit www.heidenhain.com
³⁾ Scanning unit: 10 Hz to 55 Hz, 6.5 mm constant peak to peak
 Rotors: 10 Hz to 55 Hz, 10 mm constant peak to peak

Position measurement

Specifications	KCI 120 Dplus singleturm Output side (Encoder A)	KCI 120 Dplus singleturm Motor side (Encoder B)
Functional safety for applications with up to	As a single-encoder system for monitoring functions and control-loop functions: <ul style="list-style-type: none"> • SIL 2, as per EN 61508 (further basis for testing: IEC 61800-5-3) • Category 3, PL d, in accordance with EN ISO 13849-1:2015 With additional measures as per document 1000344, suitable for safety-related applications with up to SIL 3 or Category 4, PL e Safe in the singleturm range of both axes	
PFH (each encoder)	<i>SIL 2:</i> $\leq 15 \cdot 10^{-9}$ (probability of dangerous failure per hour) <i>SIL 3:</i> $\leq 2 \cdot 10^{-9}$	
Safe position ¹⁾	<i>Encoder:</i> $\pm 0.44^\circ$ (safety-related measuring step SM = 0.176°) <i>Mechanical coupling for shaft:</i> 0° (fault exclusion for the loosening of the shaft coupling and stator coupling, designed for accelerations at the stator: $\leq 400 \text{ m/s}^2$; at the rotor: $\leq 600 \text{ m/s}^2$)	
Shaft	Hub with an inside diameter of 29 mm	Hub with an inside diameter of 34 mm
Shaft speed	$\leq 6000 \text{ rpm}$	$\leq 15000 \text{ rpm}$
Moment of inertia of rotor	$17 \cdot 10^{-6} \text{ kgm}^2$	$15 \cdot 10^{-6} \text{ kgm}^2$
Axial motion ²⁾	$\pm 0.3 \text{ mm}$	$\pm 0.5 \text{ mm}$
Position values per revolution	1 048 576 (20 bits)	524 288 (19 bits)
System accuracy	$\pm 40''$	$\pm 120''$

¹⁾ Further tolerances may arise in the downstream electronics after position value comparison (contact mfr.)

²⁾ Including thermal linear expansion and mounting tolerance

Mounting

Mounting and protection rating

Mounting and protection rating

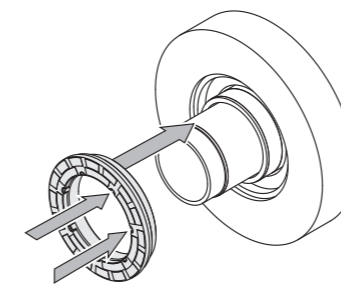
Mounting the KCI 120 Dplus consists of the following: alignment and mounting of the scanning unit, and press-fitting the two disk/hub assemblies. The disk/hub assemblies are press-fitted onto the respective shaft, and the scanning unit is mounted to the mating surface via the four holes. Alignment can optionally be performed with a centering collar, with cylindrical pins or with a mounting device.

The press-fitting process may be performed only once for each disk/hub assembly. For press-fitting, adhere to the material properties and the conditions for the mating surfaces stated in the relevant documents for use. These requirements must be followed, even when new disk/hub assemblies are press-fitted onto a mating shaft that has already been used.

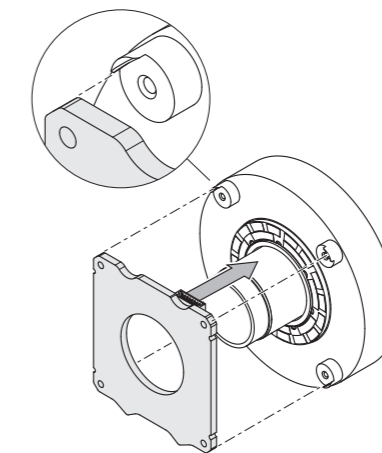
Once the lower limit of the press-fit force has been exceeded, the press-fit force being applied must remain within the specified range for the rest of the procedure, including until the final position is reached. If the application features functional safety, then, after the mounting or installation of the encoder onto the mating surface, the device must be protected from at least the ingress of solid foreign objects in accordance with an IP6x protection rating, as well as from the ingress of liquids (the protection rating for liquids depends on the application; e.g., IPx5: protection from water jets). If exposure to contamination, such as dust and liquids, can be excluded, then a protection rating of at least IP40 when mounted is sufficient.

For more information:

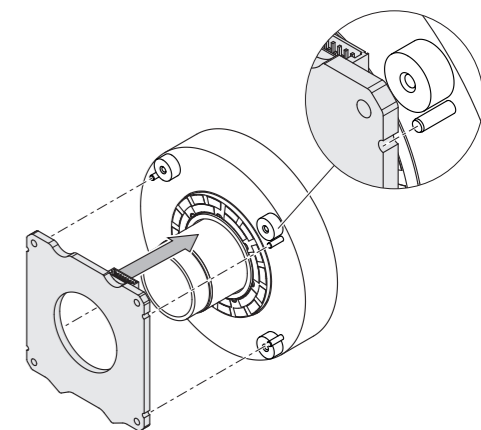
Follow the measures for *electromagnetic compatibility* described in the *General electrical information* in the *Interfaces of HEIDENHAIN Encoders* brochure to ensure disturbance-free operation.



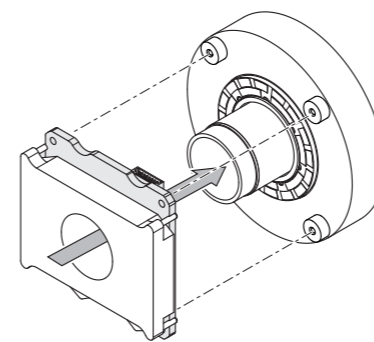
Mounting the disk/hub assembly (Encoder B)



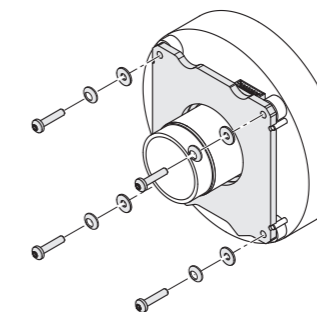
Alignment with centering collar



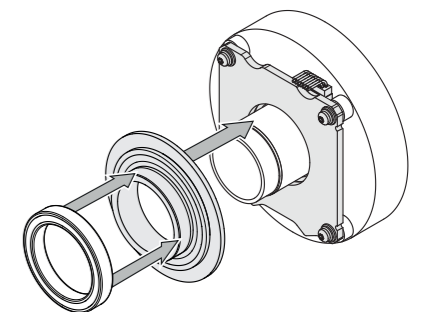
Alignment with cylindrical pins



Alignment with mounting device



Mounting of scanning unit



Mounting of disk/hub assembly (Encoder A); optionally with bearing

For the design of the fault exclusion, the following material properties and conditions for the mating surfaces are assumed.

	Customer motor shaft	Customer output shaft	Customer stator
Material	Unalloyed hardened steel		Hardenable wrought aluminum alloy
Tensile strength R_m	$\geq 600 \text{ N/mm}^2$		$\geq 220 \text{ N/mm}^2$
Yield strength $R_{p0.2}$ or yield point R_e	$\geq 400 \text{ N/mm}^2$		Not applicable
Shear strength τ_a	$\geq 390 \text{ N/mm}^2$		$\geq 130 \text{ N/mm}^2$
Interface pressure p_G	$\geq 660 \text{ N/mm}^2$		$\geq 250 \text{ N/mm}^2$
Modulus of elasticity E (at 20 °C)	200 kN/mm ² to 215 kN/mm ²		70 kN/mm ² to 75 kN/mm ²
Coefficient of thermal expansion α_{therm} (at 20 °C)	$10 \cdot 10^{-6} \text{ K}^{-1}$ to $12 \cdot 10^{-6} \text{ K}^{-1}$		$\leq 25 \cdot 10^{-6} \text{ K}^{-1}$
Surface roughness R_z	$\leq 16 \mu\text{m}$		
Friction values	Lubrication at the joint surfaces is recommended.		Mounting surfaces must be clean and free of grease. Use screws and washers in their condition as delivered.
Tightening procedure	Use a signal-emitting torque wrench as per DIN EN ISO 6789, with an accuracy of $\pm 6\%$		
Mounting temperature	15 °C to 35 °C		

Mounting aid

To avoid damage to the cable, use the mounting aid to disconnect the cable assembly. Apply pulling force only to the connector of the cable assembly and not to the wires.



ID 1075573-01

Mounting accessories

Screws: M2.5 x 12 ISO 4762 or ISO 14583 – 8.8 – MKL, and spring washers: DIN 6796 – 2.5 – FSt.

Washer: ID 1334909-01

Instructions for use: use screws with material bonding anti-rotation lock as per DIN 26727 (see *General mechanical information* in the *Rotary Encoders* brochure). Fastening-screws and spring washers must be ordered separately.

For more mounting information and mounting aids, see the Mounting Instructions and the *Encoders for Servo Drives* brochure. The mounting quality can be tested with the PWM 21 and the ATS software (see document ID 1082415).

Integrated temperature evaluation

Each axis of these rotary encoders features an internal temperature sensor integrated into the encoder electronics. The digitized temperature value is transmitted purely serially via the EnDat protocol. Please bear in mind that this measurement and transmission of the temperature is not safe in terms of functional safety.

Regarding the internal temperature sensor, the rotary encoder supports the two-stage cascaded signaling of a temperature exceedance. This consists of an EnDat warning and an EnDat error message.

In accordance with the EnDat specification, an EnDat warning (EnDat memory area "Operating status," word 1 "Warnings," bit 2¹ "Temperature exceeded") is output when the warning threshold for the temperature exceedance of the internal temperature sensor is reached. This warning threshold for the internal temperature sensor is stored in the EnDat memory area "Operating parameters," word 6 "Trigger threshold warning bit for excessive temperature" of each axis, and can be individually adjusted.

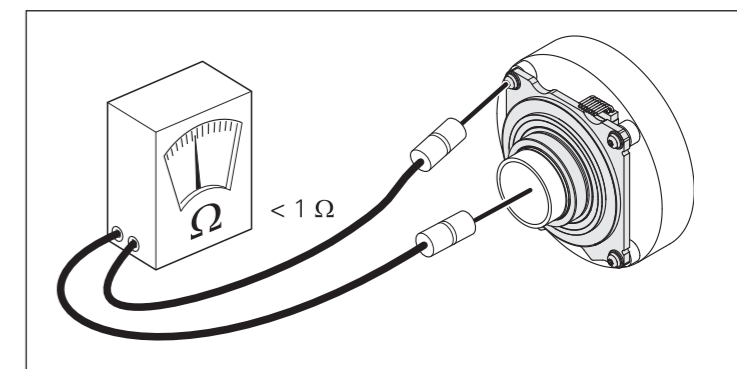
A device-specific default value is saved here before the encoder is shipped. The temperature measured by the internal temperature sensor is higher by a device-specific and application-specific amount than the temperature at the measuring point, as shown in the dimension drawing.

Each axis of the rotary encoders features a further, albeit non-adjustable trigger threshold for the "Temperature exceeded" EnDat error message of the internal temperature sensor. When this is reached, an EnDat error message is output (EnDat memory area "Operating status," word 0 "Error messages," bit 2² "Position" and in additional data 2 "Operating status error sources," bit 2⁶ "Temperature exceeded"). This trigger threshold may vary depending on the encoder and is stated in the specifications.

HEIDENHAIN recommends adjusting the warning threshold based on the application such that this threshold is sufficiently below the trigger threshold for the "Temperature exceeded" EnDat error message. Compliance with the temperature at the measuring point is required for adherence to the encoder's intended and proper use.

Electrical resistance

Check the electrical resistance between the customer-side stator and both customer-side shafts. Nominal value: $< 1 \text{ ohm}$



Testing and inspection devices, and diagnostics

HEIDENHAIN encoders provide all of the information needed for initial setup, monitoring, and diagnostics. The type of information available depends on whether the encoder is incremental or absolute and on which interface is being used.

Absolute encoders employ serial data transmission. The signals are extensively monitored within the encoder. The monitoring results (particularly valuation numbers) can be transmitted to the downstream electronics along with the position values via the serial interface (**digital diagnostic interface**). The following information is available:

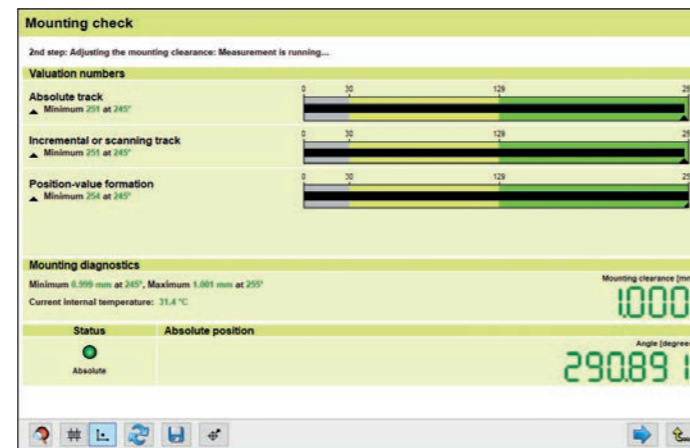
- Error message: position value is not reliable
- Warning: an internal functional limit of the encoder has been reached
- Valuation numbers:
 - Detailed information about the encoder's function reserve
 - Identical scaling for all HEIDENHAIN encoders
 - Cyclic reading capability

This enables the downstream electronics to evaluate the current status of the encoder with little effort, even in closed-loop mode.

For the analysis of these encoders, HEIDENHAIN offers the appropriate PWM inspection devices and PWT testing devices. Based on how these devices are integrated, a distinction is made between two types of diagnostics:

- Encoder diagnostics: the encoder is connected directly to the testing or inspection device, thereby enabling a detailed analysis of encoder functions.

- Monitoring mode: the PWM inspection device is inserted within the closed control loop (via suitable testing adapters as needed). This enables real-time diagnosis of the machine or equipment during operation. The available functions depend on the interface.



Mounting accuracy with the PWM 21 and ATS software

PWM 21

The PWM 21 phase-angle measuring unit, in conjunction with the included ATS adjusting and testing software, serves as an adjusting and testing package for the diagnosis and adjustment of HEIDENHAIN encoders.



	PWM 21
Encoder input	<ul style="list-style-type: none"> • EnDat 2.1, EnDat 2.2, or EnDat 3 (absolute value with or without incremental signals) • DRIVE-CLiQ • Fanuc Serial Interface • Mitsubishi high speed interface • Yaskawa Serial Interface • Panasonic serial interface • SSI • 1 V_{pp}/TTL/11 μA_{pp} • HTL (via signal adapter)
Interface	USB 2.0
Supply voltage	AC 100 V to 240 V or DC 24 V
Dimensions	258 mm × 154 mm × 55 mm

DRIVE-CLiQ is a registered trademark of Siemens AG.

For more information, see the *PWM 21/ATS Software* Product Information document.

Electrical connection

A special testing cable is attached to the PWM 21 diagnostic and inspection device in order to Encoder A (output side). In order to connect Encoder B (motor side), a different special testing cable must be used.

HEIDENHAIN offers two testing cables for this purpose. As a result, either a testing cable for the output-side encoder or a testing cable for the motor-side encoder can be connected to the PWM 21 as needed.

Pin layout of the testing cables

Testing cable for connection to Encoder A: 1311046-xx

15-pin PCB connector		Power supply				Serial data transmission (Encoder A)			
Pin	Signal	Pin	Signal	Pin	Signal	Pin	Signal	Pin	Signal
15	0V	14	Sensor 0V	13	U _P	11	Sensor U _P	7	DATA A
	White/Green		White		Brown/Green		Blue	8	DATA A
								9	CLOCK A
								10	CLOCK A
									Yellow

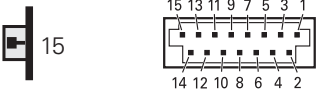


U_P = Power supply
Vacant pins or wires must not be used!

Testing cable for connection to Encoder B: 1311047-xx

15-pin PCB connector		Power supply				Serial data transmission (Encoder B)			
Pin	Signal	Pin	Signal	Pin	Signal	Pin	Signal	Pin	Signal
15	0V	14	Sensor 0V	13	U _P	11	Sensor U _P	1	DATA B
	White/Green		White		Brown/Green		Blue	2	DATA B
								3	CLOCK B
								4	CLOCK B
									Yellow

U_P = Power supply
Vacant pins or wires must not be used!

Pin layout for the rotary encoder

15-pin PCB connector											
											
Power supply				Serial data transmission (Encoder A)				Serial data transmission (Encoder B)			
14	12	13	11	7	8	9	10	1	2	3	4
0V	Sensor 0V	U _P	Sensor U _P	DATA A	DATA A̅	CLOCK A	CLOCK A̅	DATA B	DATA B̅	CLOCK B	CLOCK B̅
											

U_P = Power supply

Vacant pins or wires must not be used!

The downstream electronics must have a common ground reference!

Cable length > 0.5 m:

To prevent crosstalk, the two EnDat interfaces must be separately shielded from each other. The cable sold by the meter with ID 1347450-xx (PUR, Ø 3.7 mm) can be used for this. Two cables must be attached to the PCB connector in order to transmit the EnDat signals separately. Only one cable is used for the power supply.

When using the cable sold by the meter with ID 1347450-xx, comply with the general information in the *Cables and Connectors* brochure; use of the cables at temperatures of up to 100 °C is possible, provided that the exposure to hydrolysis and harmful media is low.

Cable length ≤ 0.5 m:

When single wires with up to a maximum length of 0.5 m are used, each data and clock wire combination must be implemented as a twisted wire pair in order to avoid coupled interferences. As an alternative, the cable with ID 605090-51 (EPG, Ø 4.5 mm) and a length of 0.3 m can be used. The general information in the *Cables and Connectors* brochure must be noted.

HEIDENHAIN

DR. JOHANNES HEIDENHAIN GmbH

Dr.-Johannes-Heidenhain-Straße 5

83301 Traunreut, Germany

☎ +49 8669 31-0

FAX +49 8669 32-5061

info@heidenhain.de

www.heidenhain.com

This Product Information document supersedes all previous editions, which thereby become invalid. The basis for ordering from HEIDENHAIN is always the Product Information document edition valid when the order is placed.



More information:

Comply with the requirements described in the following documents to ensure correct and intended operation:

- Operating Instructions: TKN KCI 120 Dplus
- Operating Instructions: AE KCI 120 Dplus

1375948-xx

1394882-xx